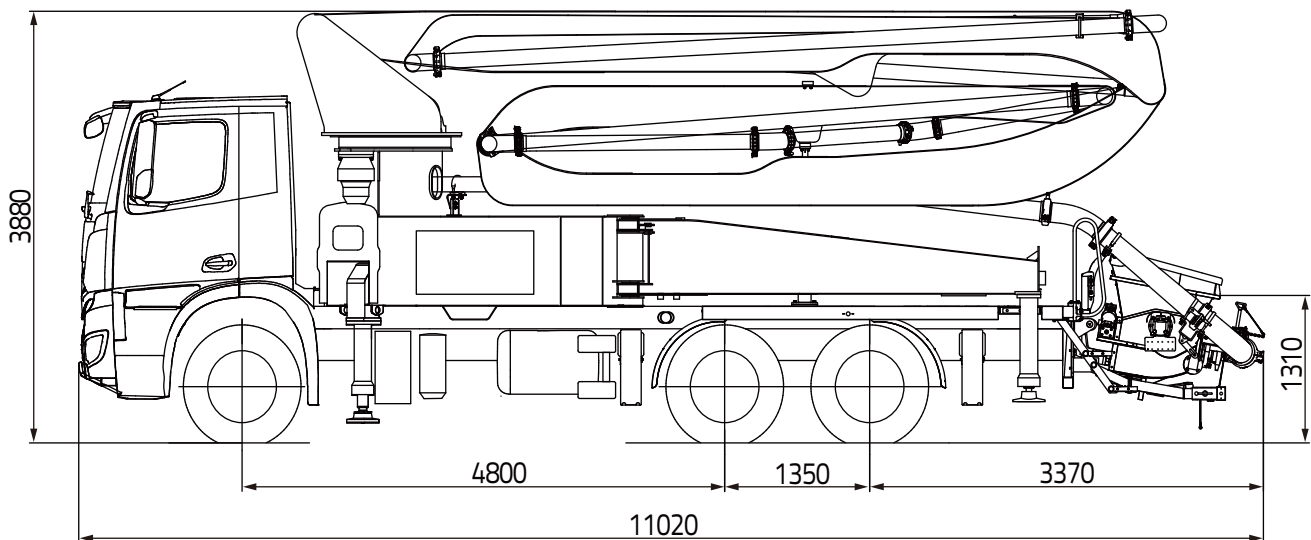


# TRUCK MOUNTED CONCRETE PUMP 38X-5RZ



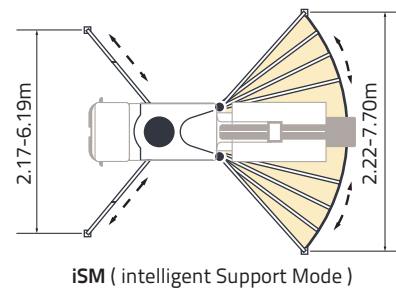
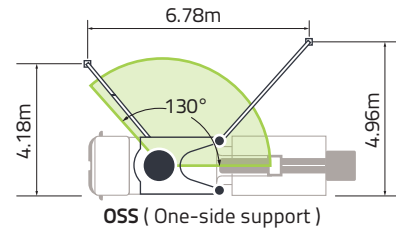
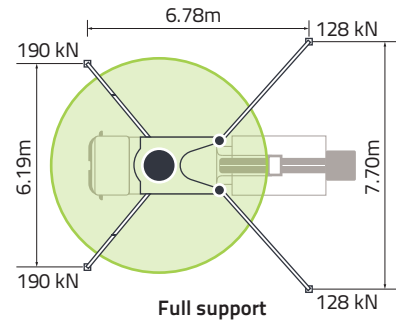
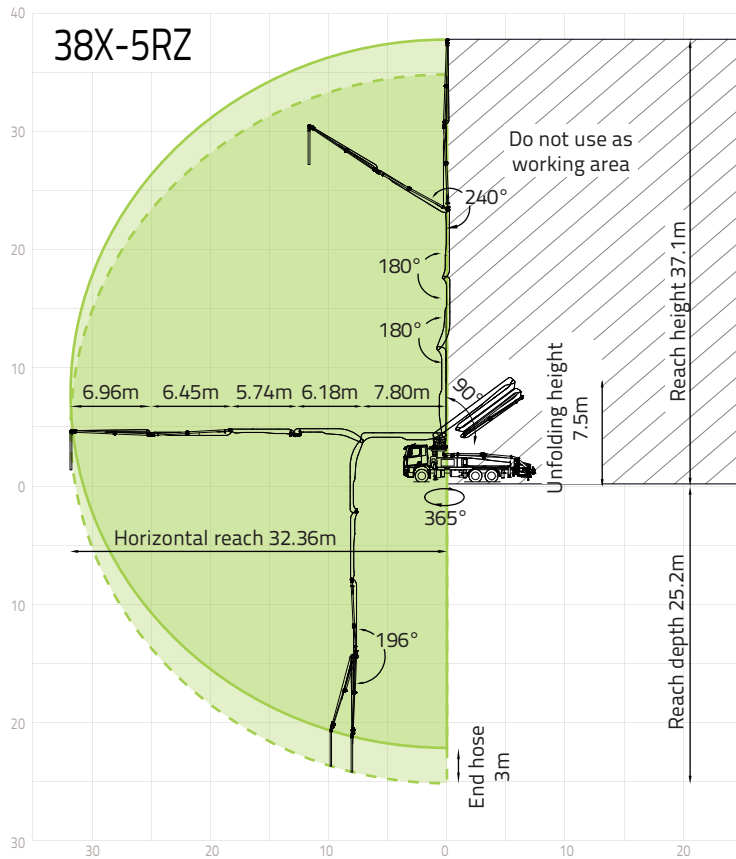
Note: Standard version. Dimensions and weights depend on truck, pump model and equipment.  
Dimensions in mm. Example based on Mercedes-Benz Arocs 5 2640 6x4.  
For illustration only. Actual products may vary.

## Technical Specifications

BOOM	UNIT	
Reach height	m	37.1
Horizontal reach ( gross/net )	m	32.36 / 28.76
Reach depth	m	25.2
Unfolding height	m	7.5
Sections	/	5
Folding system	/	RZ
End hose length	m	3
Delivery line	mm	DN 125
PUMP		
Max. output	m <sup>3</sup> /h	170
Max. pressure	bar	85
Delivery cylinder	mm	Φ 260
Stroke	mm	2100

\*All data are maximum theoretical values.

# Reach information diagram, support



## Configurations ( Optional★ )

### Pumping System

- CPC ( Condition-adaptive Pumping Control )
- ECO ( Eco. Pumping )
- Pumping concrete status identification and prompt★
- MPC ( Multi-mode Pumping Control )★

### Hopper

- Streamline hopper
- Aluminium alloy hopper cover
- Bar-type grille
- Hopper vibrator
- Cleaning ball stopper
- Chrome-plated concrete cylinder
- Wear-resistant S pipe
- Carbide wear plate
- Labour-saving device for hopper cover
- Quick-release concrete piston
- Automatic forward/reverse agitator rotation

### Cleaning

- Water tank, 700L
- Water pump, 70L/min, 15bar
- Water pump, 15L/min, 200bar
- Hose reel for high pressure water pump, 20m
- Quick-connect water inlet

### Support

- SSM ( Standard Support Mode ) ( Full Support/OSS/FS/LF/RF )
- iSM ( intelligent Support Mode )

### Placing Boom

- OBF ( One-joystick Boom Fold/Unfold )
- OBP ( One-joystick Boom Place )
- ARC ( Active Boom Rotation Control )

### Delivery Line

- Self-locking end hose clamp
- Snap pipe coupling
- End hose, 3m, DN 125
- Double-layer pipes

### Lighting

- Boom tip light, LED
- Hopper light, LED
- Rear hopper light, LED
- Baseframe access light, LED
- Support area spotlight, LED
- Support indicator light, LED
- Tipping warning light, LED
- Pumping warning light, LED
- Stop light, LED

Height-marker lamp, LED

Side-marker lamp, LED

### Safety

- Reversing camera system
- 360° surround camera system
- OGS ( Outriggers Guidance System )
- PAW ( Placing Area Warning ) + GSW ( Ground Support Warning )
- EPC ( Emergency Pumping Control )
- Emergency hydraulic power interface for boom and outrigger
- End hose squeeze valve, operable by remote control
- Hand rail

### Digital Management

ZOOMLINK APP

### Operation and Maintenance

- Hose rack on outrigger
- Diesel tank in rear outrigger
- Central grease lubrication system
- Mushroom button for horn
- Self-diagnosis and monitoring

ZOOMLION Heavy Industry Science & Technology Co.,Ltd.

Add: No.677, Lugu Road, Zoomlion Industry Park, Changsha, Hunan, China, 410205

Copyright © ZOOMLION 2024. All rights reserved. No part of the materials provided may be reproduced or copied in any form, or used for any purpose without prior permission from ZOOMLION.

en.zoomlion.com

