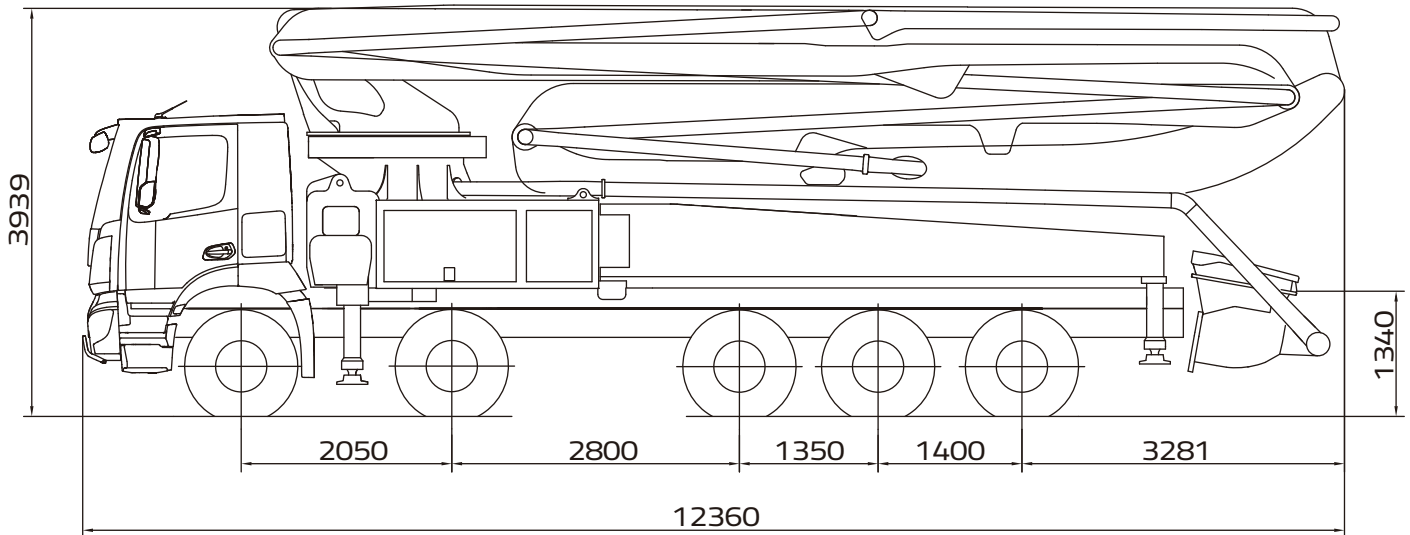


TRUCK MOUNTED CONCRETE PUMP 50X-6RZ



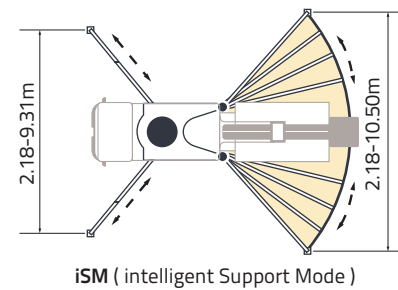
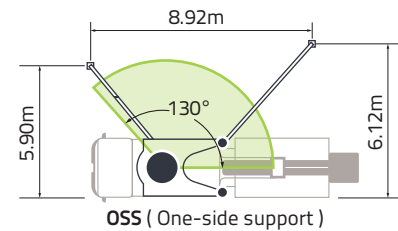
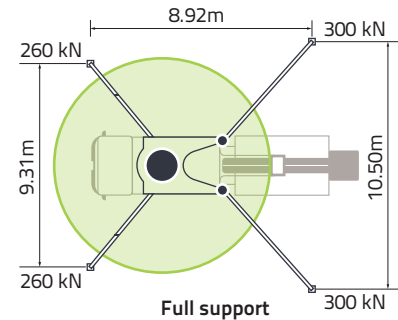
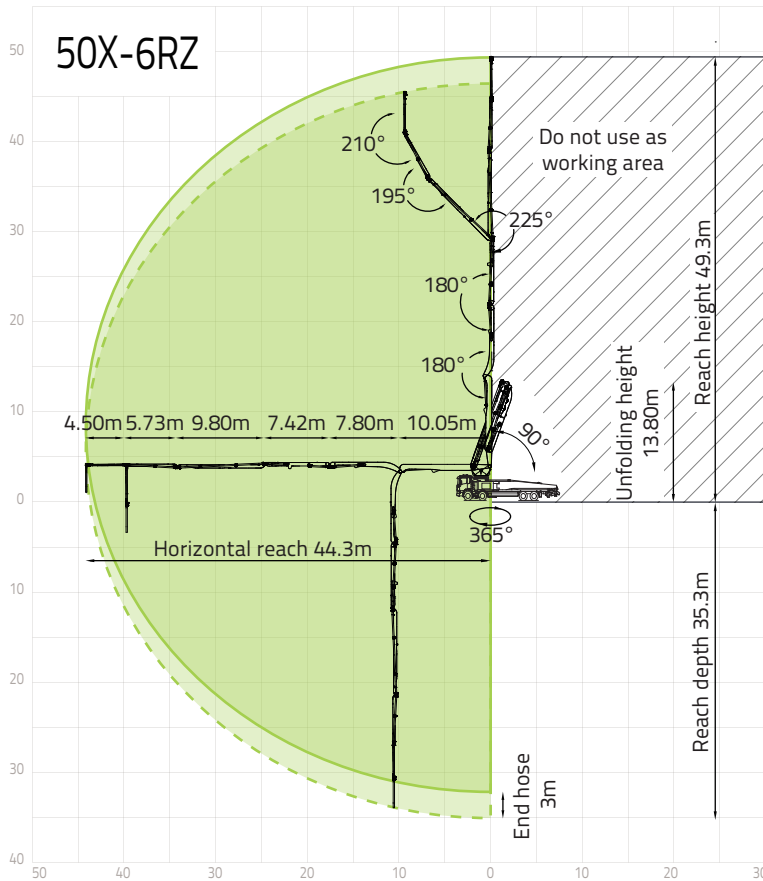
Note: Standard version. Dimensions and weights depend on truck, pump model and equipment.
Dimensions in mm. Example based on Mercedes-Benz Arocs 55151.
For illustration only. Actual products may vary.

Technical Specifications

BOOM	UNIT	
Reach height	m	49.3
Horizontal reach (gross/net)	m	44.3 / 39.62
Reach depth	m	35.3
Unfolding height	m	13.8
Sections	/	6
Folding system	/	RZ
End hose length	m	3
Delivery line	mm	DN 125
PUMP		
Max. output	m ³ /h	170
Max. pressure	bar	85
Delivery cylinder	mm	Φ 260
Stroke	mm	2100

*All data are maximum theoretical values.

Reach information diagram, support



Configurations (Optional★)

Pumping System

- CPC (Condition-adaptive Pumping Control)
- ECO (Eco. Pumping)
- Pumping concrete status identification and prompt★
- MPC (Multi-mode Pumping Control)★

Hopper

- Streamline hopper
- Aluminium alloy hopper cover
- Bar-type grille
- Hopper vibrator
- Cleaning ball stopper
- Chrome-plated concrete cylinder
- Wear-resistant S pipe
- Carbide wear plate
- Labour-saving device for hopper cover
- Quick-release concrete piston
- Automatic forward/reverse agitator rotation

Cleaning

- Water tank, 700L
- Water pump, 70L/min, 15bar
- Water pump, 15L/min, 200bar
- Hose reel for high pressure water pump, 20m
- Quick-connect water inlet

Support

- SSM (Standard Support Mode) (Full Support/OSS/FS/LF/RF)
- iSM (intelligent Support Mode)

Placing Boom

- OBF (One-joystick Boom Fold/Unfold)
- OBP (One-joystick Boom Place)
- ABC (Active Boom Control)
- ARC (Active Boom Rotation Control)

Delivery Line

- Self-locking end hose clamp
- Snap pipe coupling
- End hose, 3m, DN 125
- Double-layer pipes

Lighting

- Boom tip light, LED
- Hopper light, LED
- Rear hopper light, LED
- Baseframe access light, LED
- Support area spotlight, LED
- Support indicator light, LED
- Tipping warning light, LED
- Pumping warning light, LED

- Stop light, LED
- Height-marker lamp, LED
- Side-marker lamp, LED

Safety

- Reversing camera system
- 360° surround camera system
- OGS (Outriggers Guidance System)
- PAW (Placing Area Warning) + GSW (Ground Support Warning)
- EPC (Emergency Pumping Control)
- Emergency hydraulic power interface for boom and outrigger
- End hose squeeze valve, operable by remote control
- Hand rail

Digital Management

- ZOOMLINK APP

Operation and Maintenance

- Hose rack on outrigger
- Diesel tank in rear outrigger
- Two separate hydraulic oil tanks
- Built-in filter element
- Central grease lubrication system
- Mushroom button for horn
- Self-diagnosis and monitoring

ZOOMLION Heavy Industry Science & Technology Co.,Ltd.

Add: No.677, Lugu Road, Zoomlion Industry Park, Changsha, Hunan, China, 410205

Copyright © ZOOMLION 2024. All rights reserved. No part of the materials provided may be reproduced or copied in any form, or used for any purpose without prior permission from ZOOMLION.

en.zoomlion.com

