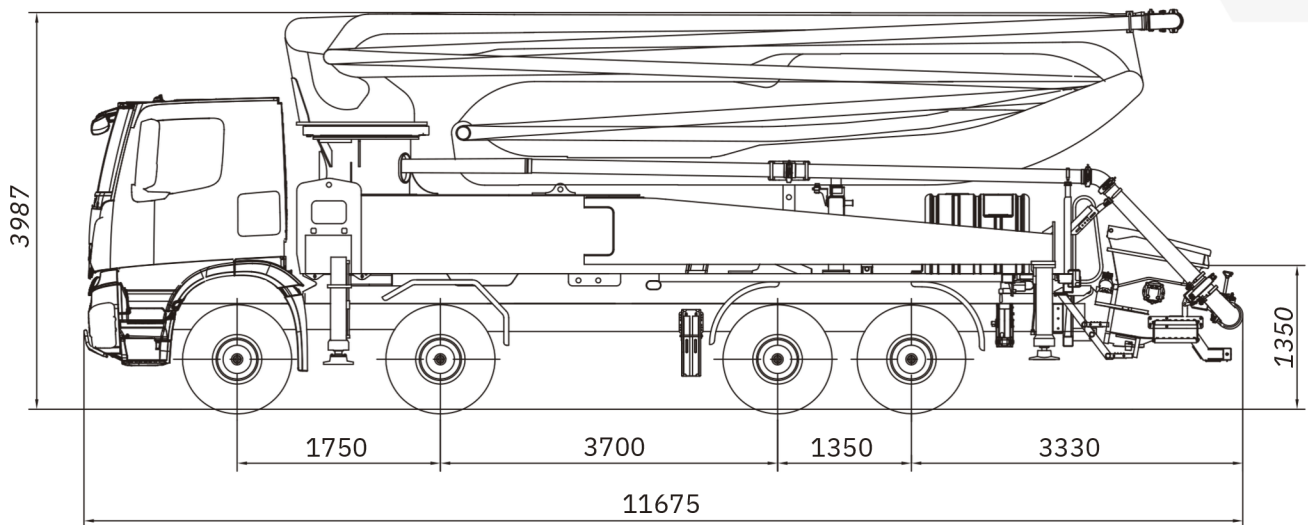




TRUCK MOUNTED CONCRETE PUMP 43X-5RZ



Note: Standard version. Dimensions and weights depend on truck, pump model and equipment.

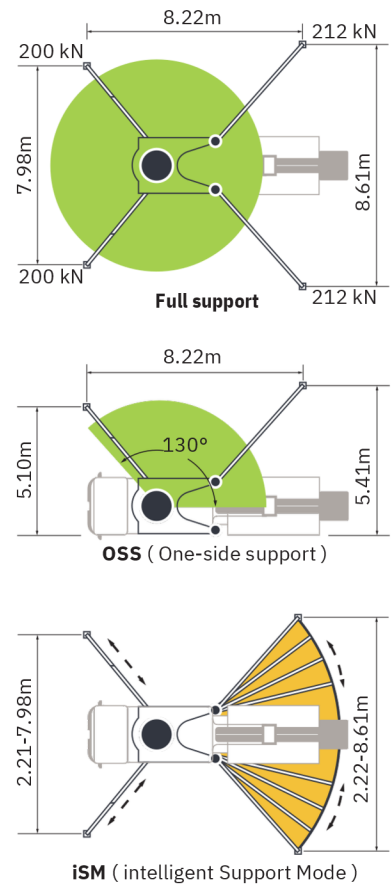
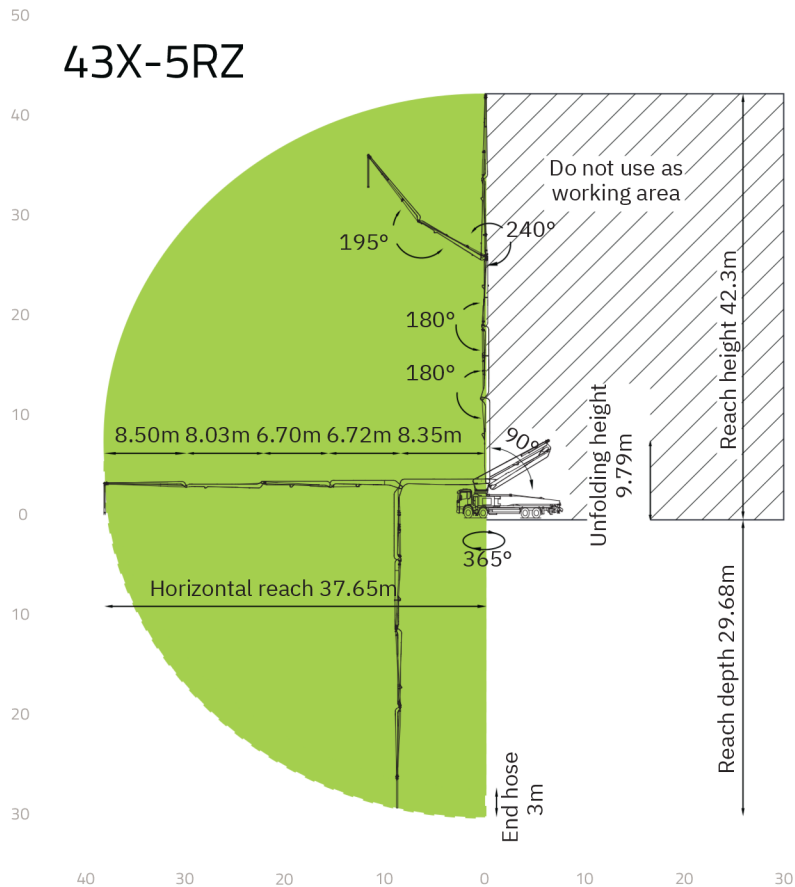
Dimensions in mm. Example based on Mercedes-Benz Arocs 5 3240 8x4.
For illustration only. Actual products may vary.

Technical Specifications

BOOM	UNIT	
Reach height	m	42.3
Horizontal reach (gross/net)	m	37.65 / 34.16
Reach depth	m	29.68
Unfolding height	m	9.79
Sections	/	5
Folding system	/	RZ
End hose length	m	3
Delivery line	mm	DN 125
PUMP		
Max. output	m ³ /h	170
Max. pressure	bar	85
Delivery cylinder	mm	Φ260
Stroke	mm	2100

*All data are maximum theoretical values.

Reach information diagram, support



Configurations (Optional★)

Pumping System

CPC (Condition-adaptive Pumping Control)
 ECO (Eco. Pumping)
 Pumping concrete status identification and prompt★
 MPC (Multi-mode Pumping Control)★

Hopper

Streamline hopper
 Aluminium alloy hopper cover
 Bar-type grille
 Hopper vibrator
 Cleaning ball stopper
 Chrome-plated concrete cylinder
 Wear-resistant S pipe
 Carbide wear plate
 Labour-saving device for hopper cover
 Quick-release concrete piston
 Automatic forward/reverse agitator rotation

Cleaning

Water tank, 700L
 Water pump, 70L/min, 15bar
 Water pump, 15L/min, 200bar
 Hose reel for high pressure water pump, 20m
 Quick-connect water inlet

Support

SSM (Standard Support Mode) (Full Support/OSS/FS/LF/RF)
 ISM (intelligent Support Mode)

Placing Boom

OBF (One-joystick Boom Fold/Unfold)
 OBP (One-joystick Boom Place)
 ARC (Active Boom Rotation Control)

Delivery Line

Self-locking end hose clamp
 Snap pipe coupling
 End hose, 3m, DN 125
 Double-layer pipes

Lighting

Boom tip light, LED
 Hopper light, LED
 Rear hopper light, LED
 Baseframe access light, LED
 Support area spotlight, LED
 Support indicator light, LED
 Tipping warning light, LED
 Pumping warning light, LED
 Stop light, LED

Height-marker lamp, LED
 Side-marker lamp, LED

Safety

Reversing camera system
 360° surround camera system
 OGS (Outriggers Guidance System)
 PAW (Placing Area Warning) + GSW (Ground Support Warning)
 EPC (Emergency Pumping Control)
 Emergency hydraulic power interface for boom and outrigger
 End hose squeeze valve, operable by remote control
 Hand rail

Digital Management

ZOOMLINK APP

Operation and Maintenance

Hose rack on outrigger
 Diesel tank in rear outrigger
 Central grease lubrication system
 Mushroom button for horn
 Self-diagnosis and monitoring

REMMEL AG

Registered Office
 Im Zollhafen 24, 50678 Köln

Branches
 Moselbahnstraße 2, 54470 Berncastel-Kues

CEO: Thorsten Remmel
 Phone: +49 172 6990282
 E-Mail: info@remmel-ag
 Homepage: www.remmel-ag.com
 USt-idNr.: DE328405047
 Handelsregister: Amtsgericht Köln - HRB 100861



Copyright © REMMEL AG 2026